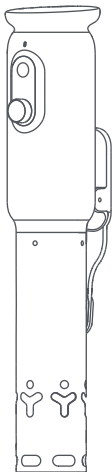


INKBIRD



ISV-101W

Sous Vide Machine



Warm tips

- To quickly jump to a specific chapter page, click on the relevant text on the contents page.
- You can also use the thumbnail or document outline in the top left corner to quickly find a specific page.

CONTENTS

<i>Overview</i>	01	<i>Important Notes / Warnings</i>	12
<i>Technical Specifications</i>	01	<i>Troubleshooting Guide</i>	13
<i>Product Diagram</i>	03	<i>FCC Requirement</i>	14
<i>Key Definitions</i>	06	<i>IC Warning</i>	15
<i>APP Installation & Connection</i>	07	<i>Customer Service</i>	16



Please keep this manual properly for reference. You can also scan the QR code to visit our official website for product usage videos. For any usage issues, please feel free to contact us at **support@inkbird.com**.



Overview

When sous-vide cooking, to preserve the food nutrient content to the greatest extent and reduce the loss of moisture and flavor, we need to place the vacuum-sealed food in a thermostatic water bath for a period. But different food requires different temperatures and cooking times. INKBIRD ISV-101W features functions of water circulation, heating rod, and timer and it can precisely and evenly control the water temperature and cooking time as you want, meeting the different cooking requirements of various food.



Technical Specifications

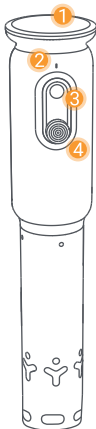
- **Input Power**
Rated Voltage (USA): AC 120V 60Hz
Rated Voltage (EU/UK/AU): AC 220~240V 50Hz
- Heating Power: 1000W
- Temperature Control Range: 0-90°C/32-194°F
- Display Accuracy: 0.1°C/1°F
- **Water Shortage Protection:** When the water level falls below the minimum water line, it stops working and alerts you through a sound and notification page.

- **Temperature Control Accuracy:** 0.1°C/0.3°F
- **Time Setting Range:** max 99 hours and 59 minutes
- **Minimum Time Setting Interval:** 1 minute
- **Smart Alerts:** Target temperature reached alert, Cooking completion pre-warning, and Cooking completion alert
- **Overwater Protection:** When the water level exceeds the maximum water line, it stops working and alerts you through a sound and notification page.
- **Temperature Probe Failure Protection:** When the temperature probe fails, it stops working and alerts you with a sound and notification page.
- TFT screen with rich display content; supports the quick setting of cooking temperature and time; comes with recipes supporting custom recipe temperature and time configuration.
- Support WiFi, operate through the smart App
- **Waterproof Rating:** Not waterproof
- **Warranty:** 1 year



Product Diagram

● Product Appearance



1



Display Screen Panel

2



Control Status Indicator:
Red means Stop, Green means Running

3



Home Button

4



Multi-Functional Knob

● Screen Display :



WiFi connection state;
Enter to reset the WiFi
network pairing



Quick-cook setting; Enter
to quickly set target temperature
and cooking time

89°F

Current Temperature



Menu Setting; Enter to
select the menu

Wait for warm-up

Current Cooking State



Settings; Enter to set
temperature unit
and calibration value

126°F

Cooking Target
Temperature

45M

Cooking Time

WiFi Connection Icon :



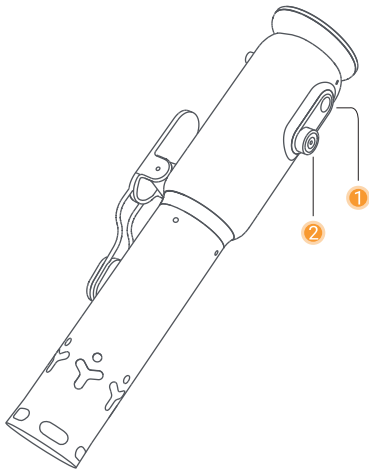
WiFi has disconnected from the router.



Flashing means that WiFi is establishing a connection with the router;
Always displayed means that WiFi is connected to the router.



Key Definitions



1 HOME Button:

On the home page, press the Home button to switch the cooking state; on any page but the home page, press the Home button to return to the previous menu page.

2 Multi-functional Knob:

Rotate the knob to increase/decrease a setting value or select a menu option. Press the knob to confirm the current setting.



APP Installation & Connection

● INKBIRD APP



5.1 Search the INKBIRD App from Google Play or App Store to get it for free, or you can scan the QR code to download it directly.

NOTE:

1. Your iOS devices must be running iOS 12.0 or above to download the app smoothly.
2. our android devices must be running android 7.1 or above to download the app smoothly.
3. The device supports a 2.4GHz Wi-Fi router only.

4. APP Location Permission Requirement: We need to obtain your location information to discover and add nearby devices. INKBIRD promises to keep your location information strictly confidential. And your location information will only be used for the location function of the App and will not be collected, used, or disclosed to any third party. Your privacy is very important to us. We will abide by relevant laws and regulations and take reasonable security measures to protect your information security.

Registration

Step1: Registering an account is necessary before using the INKBIRD app for the first time.

Step2: Open the app, select your Country/Region, and a verification code will be sent to you.

Step3: Enter the verification code to confirm your identity, and the registration is complete.

How to Connect

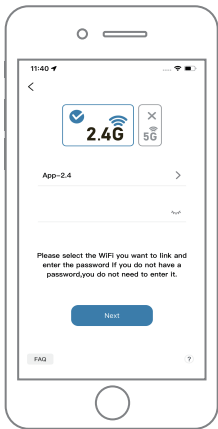
Follow the app instructions to complete the Wi-Fi connection. Be careful to put the device as close as possible to the smartphone and router during the connection process.



1. Open the app, click "+", and select the **ISV-101W** to start the connection.



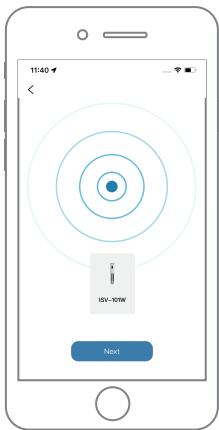
2. Plug in the ISV-101W, start it up correctly, and click Next Step.



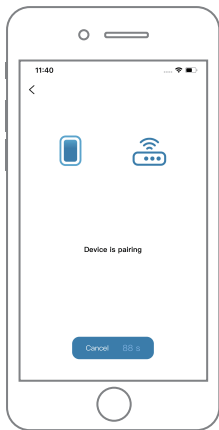
3. Select a WiFi network to connect, enter the password, and click Next Step.



4. Use the multi-functional knob to select the WiFi connection state control, click it to enter the network pairing page, as shown in the figure, then click Next Step.



5. The phone automatically scans for the device.
Once the device is found, click Next Step.



6. Automatically pairing.

Note: If the pairing fails, unplug the device, restart it again, and repeat the above steps to complete the connection.



Important Notes / Warnings

- The stainless steel part of the machine gets hot when in use. If you need to move it, disconnect the power, wait for it to cool down, and then hold the plastic part to move it.
- Do not immerse the stainless steel part of the machine marked with the MAX water line in the water. Please disconnect the power if not in use or before cleaning.
- If the machine falls into the water, please disconnect the power as soon as possible to prevent electric shock. If this happens, do not try to use this machine again. Please note that machine damage caused by water is not covered by warranty service.
- DO NOT USE DEIONIZED WATER (DI water).
- After use, please store this machine in a ventilated and dry place.



Troubleshooting Guide

ISSUES	POSSIBLE SOLUTIONS
Unable to Start the Machine	<p>a) Check whether it is in the low water status.</p> <p>b) Check whether the water exceeds the water line.</p> <p>c) Check whether there is a probe alert notification.</p> <p>d) Check whether the quick-cook setting or recipe setting is completed. For the first use, the quick-cooking or recipe setting must be completed.</p> <p>If it still does not work, contact customer service.</p>
Unable to Connect to the Network	<p>a) Make sure the 2.4GHz WiFi signal is stable, and place the device as close to the router as possible.</p> <p>b) Make sure there are as few barriers as possible between the device and the router.</p> <p>Enable Bluetooth and positioning functions, allow the App to obtain location information, and allow the local network (iOS System).</p>



FCC Requirement

Changes or modifications not expressly approved by the party responsible for compliance could void the user's authority to operate the equipment. This device complies with Part 15 of the FCC Rules. Operation is subject to the following two conditions:

- (1) this device may not cause harmful interference, and
- (2) this device must accept any interference received, including interference that may cause undesired operation.

Note: This equipment has been tested and found to comply with the limits for a Class B digital device, pursuant to Part 15 of the FCC Rules. These limits are designed to provide reasonable protection against harmful interference in a residential installation. This equipment generates, uses, and can radiate radio frequency energy, and if not installed and used in accordance with the instructions, may cause harmful interference to radio communications. However, there is no guarantee that interference will not occur in a particular installation. If this equipment does cause harmful interference to radio or television reception, which can be determined by turning the equipment off and on, the user is encouraged to try to correct the interference by one or more of the following measures:

- Reorient or relocate the receiving antenna.
- Increase the separation between the equipment and receiver.

- Connect the equipment into an outlet on a circuit different from that to which the receiver is connected.
- Consult the dealer or an experienced radio/TV technician for help.

This equipment complies with FCC radiation exposure limits set forth for an uncontrolled environment. This equipment should be installed and operated with a minimum distance of 20cm between the radiator & your body. This transmitter must not be co-located or operating in conjunction with any other antenna or transmitter.



This device contains licence-exempt transmitter(s)/receiver(s) that comply with Innovation, Science and Economic Development Canada's licence-exempt RSS(s). Operation is subject to the following two conditions:

- (1) This device may not cause interference.
- (2) This device must accept any interference, including interference that may cause undesired operation of the device.

L'émetteur/récepteur exempt de licence contenu dans le présent appareil est conforme aux CNR d'Innovation, Sciences et Développement économique Canada applicables aux appareils radio exempts de licence. L'exploitation est autorisée aux deux conditions suivantes :

- 1) L'appareil ne doit pas produire de brouillage;
- 2) L'appareil doit accepter tout brouillage radioélectrique subi, même si le brouillage est susceptible d'en compromettre le fonctionnement.



Customer Service

This item carries a 1-year warranty against defects in either components or workmanship. During this period, products that prove to be defective will, at the discretion of INKBIRD, be either repaired or replaced without charge. For any problems in use, please feel free to contact us at **support@inkbird.com**. We will do our best to help you.

Shenzhen Inkbird Technology Co.,Ltd.

support@inkbird.com

Consignor: Shenzhen Inkbird Technology Co., Ltd.

Office Address: Room 1803, Guwei Building, No.68 Guwei Road, Xianhu Community, Liantang, Luohu District, Shenzhen, China

Manufacturer: Shenzhen Inkbird Technology Co., Ltd.

Factory Address: 6th Floor, Building 713, Pengji Liantang Industrial Area, No.2 Pengxing Road, Luohu District, Shenzhen, China



V2.0

MADE IN CHINA
DESIGNED BY INKBIRD